



DESIGN PLUS

NOMINÉ
PRIX DU DESIGN IDÉO BAIN

COMFORT & DESIGN
AWARD

ŁAZIENKA
AWARD

Colour: R07

BADGE®

Badge® offers design radiator's new concept, thanks to its original shape.

Three models which meet radiator's functional needs and for this reason they represent a revolution thanks to their design and the employment of a particular innovative technology, features that have permitted to attain the prestigious Design Plus ISH 2007 and Comfort & Design 2008 Award.

Badge® is available in three different dimensions: two vertical and one horizontal.



Design: Simone Micheli



P. max: 5 bar	
T. max: 95 °C	Available for central heating systems
Connections: 2 x 1/2" gas - 2 x 1/2" gas for air vent	

Material:

- single heating element in painted carbon steel thickness 7 mm.

Fixing kit:

- Brackets
- Air vent
- Hexagonal tool
- Plugs and screws for mounting suitable for use on compact or hollow brick walls
- User notice
- Fixing template scheme (only available for Badge 1212x512)

Valve kit included:

BADGE®

- Valves
- fittings for copper pipe (ø 10/12/14/15/16)
- fittings for multilayer pipe (ø 14/16/18)

BADGE® CONTROL

- Valves with thermostatic head
- fittings for copper pipe (ø 10/12/14/15/16)
- fittings for multilayer pipe (ø 14/16/18)

Packaging:

The radiator is protected by a recycle film in polyethylene and with a box in recycle carton. User notice included.

Painting process:

painted with ecological epoxy powders 90 gloss brightness. (certificate DIN 55900-1,-2)

Colours:

Radiator and accessories: standard white colour RAL9010. For other colours price has to be increased by 25%, for special finishes price has to be increased by 30%. See page 140

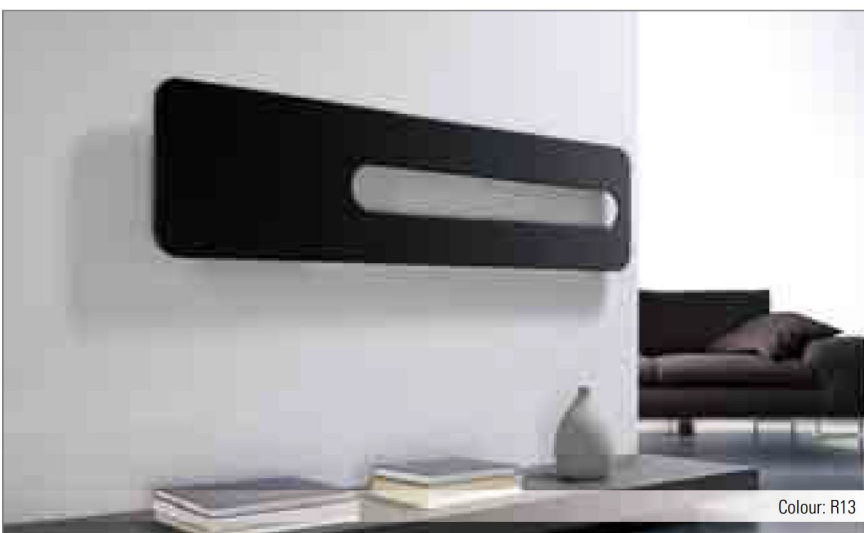
Accessories and spare parts:

See page 125



Straight hanger - Polished Stainless Steel

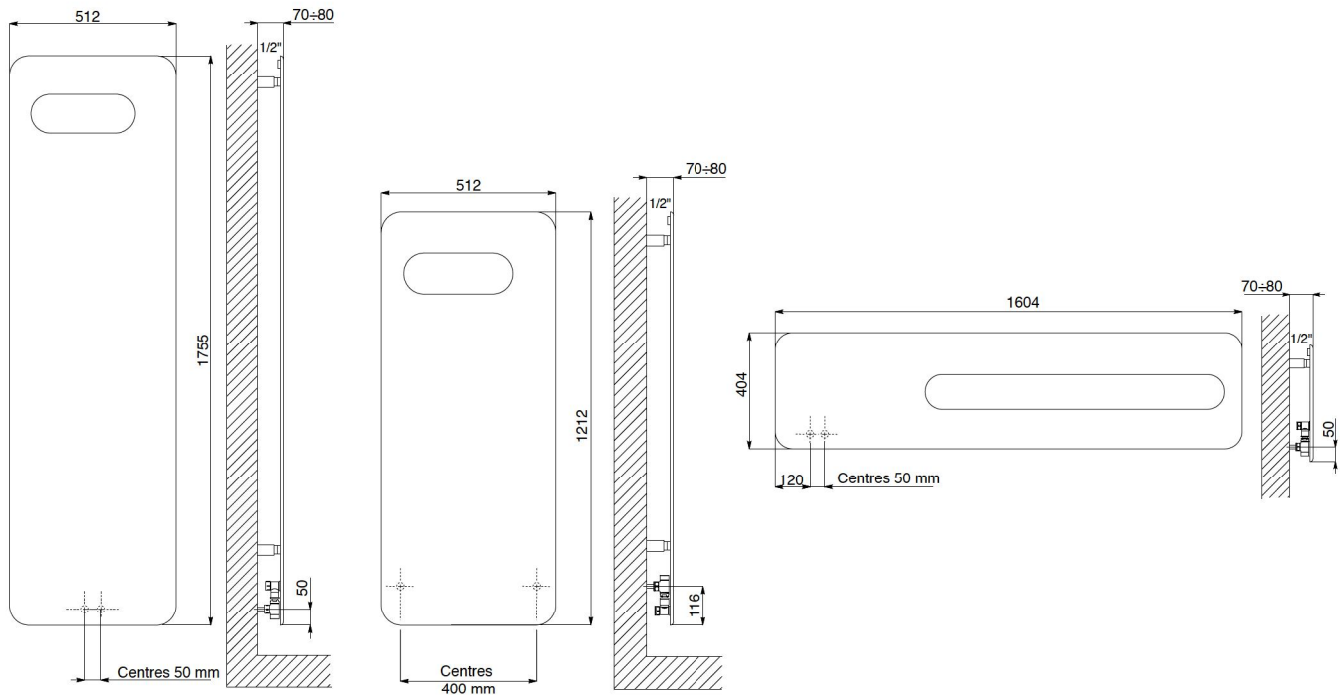
Available only on BADGE H. 1755 x L.512 mm



Colour: R13



Colour: F20



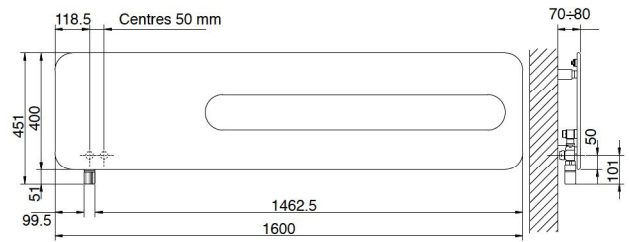
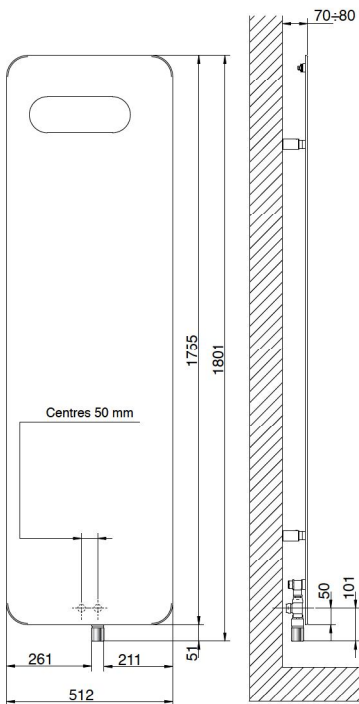
BADGE®

Price includes valve and holder.

Art. Nr.	Height	Lenght	Price	Centres	Weight	Capacity	Thermal output $\Delta t = 50^\circ\text{C}$		75/65/20°C ($\Delta t = 50^\circ\text{C}$)
	[mm]	L [mm]		l [mm]			Watt	Kcal/h	^(*) Thermal output ϕ in Watt and Δt in °C
3540806100030	1755	512	778,00	50	28,5	1,2	795	684	$\phi = 8,0204 * \Delta t^{1,1749}$
3540806100025	1212	512	704,00	400	20	0,8	567	488	$\phi = 4,4381 * \Delta t^{1,2398}$
3540806100021	404	1604	726,00	50	19	1,1	572	492	$\phi = 4,7926 * \Delta t^{1,2224}$

Art. Nr. are referred to colour WHITE R01 - RAL 9010 version

^(*) For output at different Δt than 50°C, see page 130



Badge® Control has valves with thermostatic head

BADGE® CONTROL

Prices includes valve kit and thermostatic head, in accordance with UNI-EN215:2007 and with D.M. 19/02/2007

Art. Nr.	Height	Lenght	Price	Centres	Weight	Capacity	Thermal output $\Delta t = 50^\circ\text{C}$		75/65/20°C ($\Delta t = 50^\circ\text{C}$)
	[mm]	L [mm]		l [mm]			Watt	Kcal/h	^(*) Thermal output ϕ in Watt and Δt in °C
3540806100050	1755	512	835,00	50	28,5	1,2	795	684	$\phi = 8,0204 * \Delta t^{1,1749}$
3540806100041	404	1604	783,00	50	19	1,1	572	492	$\phi = 4,7926 * \Delta t^{1,2224}$

Art. Nr. are referred to colour WHITE R01 - RAL 9010 version

^(*) For output at different Δt than 50°C, see page 130