



Colour: R01

BRIDGE®

Bridge® embodies the concept of archaeological industrial production of objects for popular use in a modern key and in a timeless mythmaking context.

It is a versatile radiator that in addition to fulfilling its function of high efficiency heating, becomes a multi-purpose piece of furniture of high quality with handles and shelves made of whitened oak.

The recovery of industrial moulds already in use means economics and energy saving with the consequent inclusion of the Bridge® in the field of sustainable production and eco-design.



Design: Mariano Moroni

PATENTED MODEL



P. max: 12 bar	
T. max: 95 °C	Available for central heating systems
Connections: 2 x 1/2" - 1 x 1/2" gas for air vent	

Material:

- tubular elements in painted carbon steel with ø of 25 mm.
- shelves and hanger in whitened oaks
- stainless steel rods and clamps

Fixing kit:

- Brackets
- Air vent
- Hexagonal tool
- Plugs and screws for mounting suitable for use on compact or hollow brick walls
- User notice

Packaging:

The radiator is protected by a recycle film in polyethylene and with a box in recycle carton. User notice included.

Painting process:

painted with ecological epoxy powders 90 gloss brightness. (certificate DIN 55900-1,-2)

Colours:

Radiator and accessories: standard white colour RAL9010. For other colours price has to be increased by 25%, for special finishes price has to be increased by 30%. See page 140

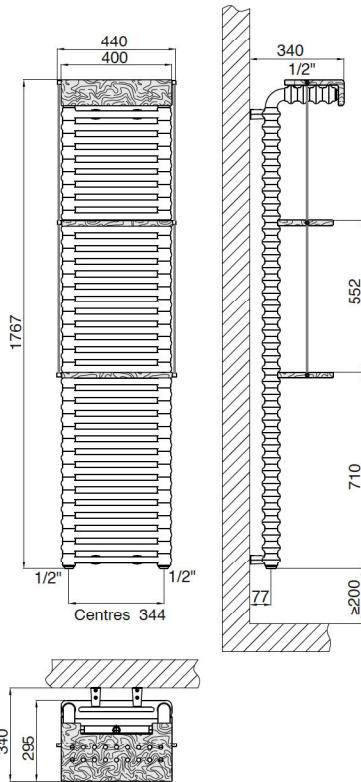


Model Bridge 2

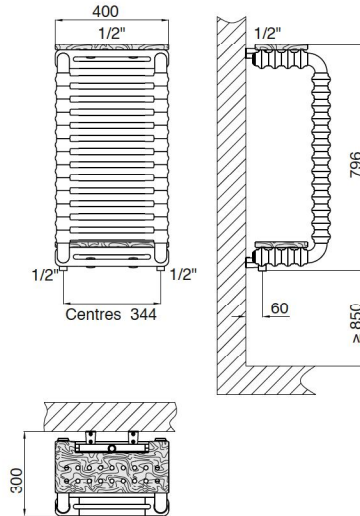


Model Bridge 3

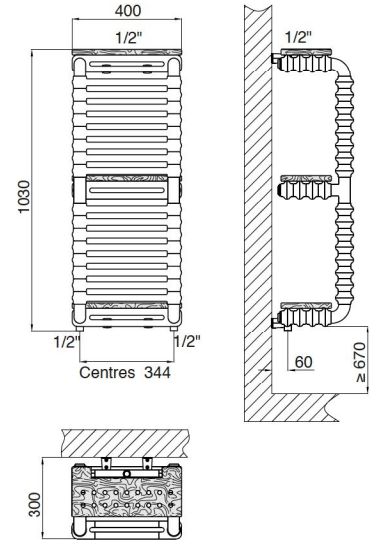
BRIDGE® 1



BRIDGE® 2



BRIDGE® 3

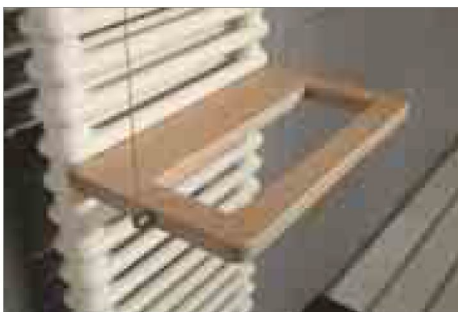


BRIDGE®

Art. Nr.	Model	Height	Lenght	Price	Centres	Weight	Capacity	Thermal output $\Delta t = 50^{\circ}\text{C}$		75/65/20°C ($\Delta t=50^{\circ}\text{C}$)
		[mm]	L [mm]	€	l [mm]	[Kg]	[lt]	Watt	Kcal/h	^(*) Thermal output ϕ in Watt and Δt in °C
3541836100001	BRIDGE 1	1767	400	1.749,00	344	26,0	18,0	1320	1135	$\phi = 8,1962 * \Delta t^{1,2990}$
3541836100002	BRIDGE 2	796	400	1.207,00	344	14,0	9,5	693	596	$\phi = 4,3030 * \Delta t^{1,2990}$
3541836100003	BRIDGE 3	1030	400	1.354,00	344	19,0	13,0	924	795	$\phi = 5,7373 * \Delta t^{1,2990}$

Art. Nr. are referred to colour WHITE R01 - RAL 9010 version

^(*) For output at different Δt than 50°C, see page 130



NEO DESIGN