



Material: Polished Stainless Steel

FRAME

POLISHED/DECOR STAINLESS STEEL

FRAME PLUS

POLISHED/DECOR STAINLESS STEEL

An incomparable design, a journey inside the most beautiful living atmosphere. The new model Frame evidences the purity of the design and offers different possibilities: Frame Inox Polished, which produces light effects and Frame Inox Decor which is made on polished basis with satin graphics.



P. max: 8 bar	
T. max: 95 °C	Available for central heating systems
Connections: 2 x 1/2" gas - 1 x 1/8" gas for air vent	

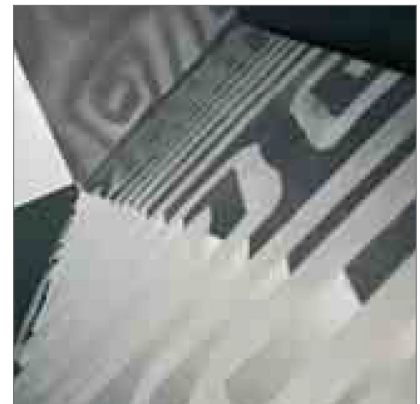
Material:
 Heating plate:
 -Polished stainless steel (FRAME INOX)
 -Satin stainless steel decor on a polish base (FRAME DECOR)

- Fixing kit:**
- Brackets
 - Air vent
 - Hexagonal tool
 - Plugs and screws for mounting suitable for use on compact or hollow brick walls
 - User notice

Packaging:
 The radiator is protected by a recycle film in polyethylene and with a box in recycle carton. User notice included.

Features:
 It is totally made in stainless steel with an unalterable finishing guaranteed during the years.

Accessories and spare parts:
 See page 121



Satin decor on polished basis.

ACCESSORIES

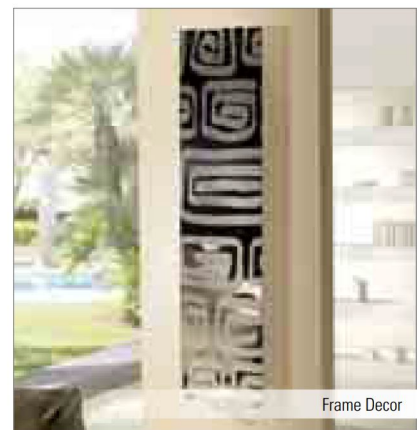
	STRAIGHT HANGER SATIN STAINLESS STEEL
	(L= 516 mm) Price € 137,00 Art. Nr. 5991990010208
	(L= 628 mm) Price € 145,00 Art. Nr. 5991990010209

	KIT 3 STRAIGHT HANGERS SATIN STAINLESS STEEL
	(L= 516 mm) Price € 355,50 Art. Nr. 5991990310241
	(L= 628 mm) Price € 376,50 Art. Nr. 5991990310242

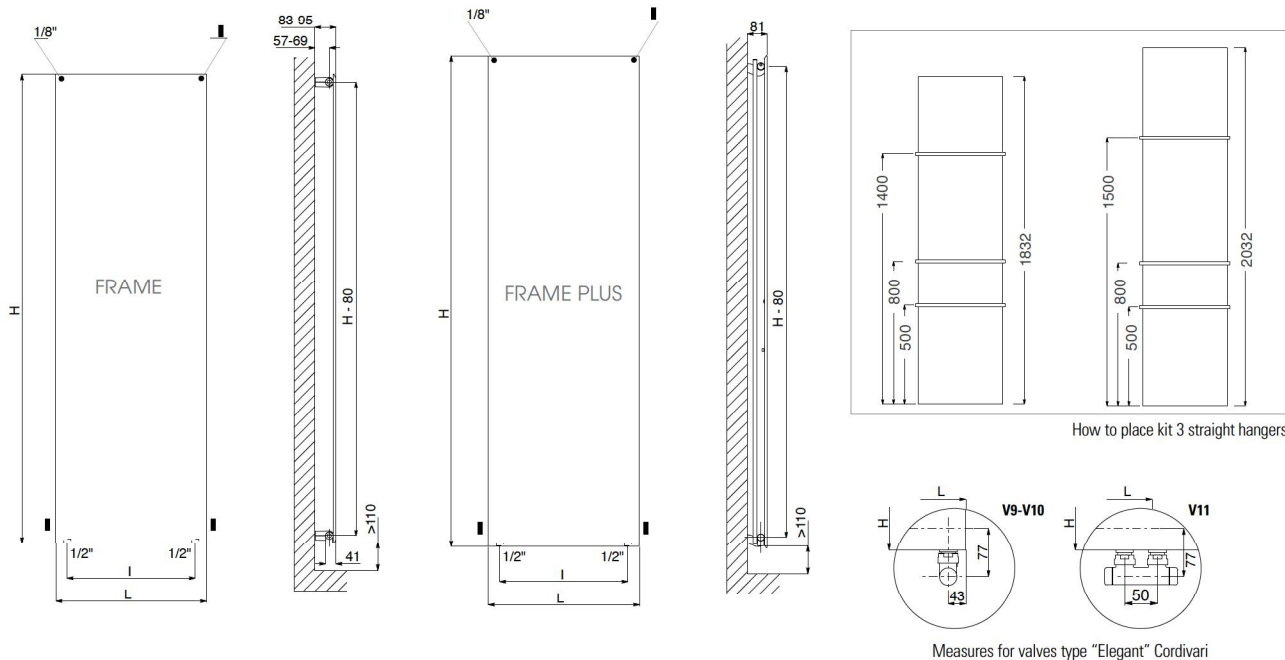
	ELEGANT SQUARE VALVE KIT WITH THERMOSTATIC HEAD

POLISHED			
C	Art. Nr.	M	Art. Nr.
Ø 10/12/14/15/16	5991990301026	Ø 14/16/18	5991990301025
Price € 168,00		Price € 165,00	
C = Copper connection • M = Multilayer connection			

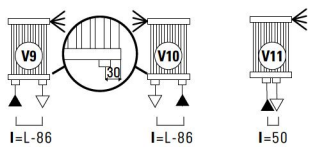
SATIN			
C	Art. Nr.	M	Art. Nr.
Ø 10/12/14/15/16	5991990321012	Ø 14/16/18	5991990321011
Price € 206,50		Price € 201,50	
C = Copper connection • M = Multilayer connection			



Frame Decor



INOX



Always specify the kind of connection needed when ordering (V9/V10/V11). Except two-way pipe connection.

LEGEND	
▶ In	◀ Air Vent
◁ Out	H Height
□ Connection	Length=20 - Height=15
▬ Blind	
Centres	L Length

FRAME POLISHED

Height H [mm]	Length L [mm]	Price €	Centres l [mm]	Weight [Kg]	Capacity [lt]	Thermal output $\Delta t = 50^\circ\text{C}$		75/65/20°C ($\Delta t=50^\circ\text{C}$)
						Watt	Kcal/h	⁽¹⁾ Thermal output ϕ in Watt and Δt in °C
1832	474	1.100,00	388	25,1	5,6	880	757	$\phi = 5,7949 * \Delta t$ ^{1,2840}
	586	1.147,00	500	31,3	7,0	1100	946	$\phi = 7,2436 * \Delta t$ ^{1,2840}
2032	474	1.181,00	388	27,3	5,8	978	841	$\phi = 6,4388 * \Delta t$ ^{1,2840}
	586	1.243,00	500	34,1	7,2	1222	1051	$\phi = 8,0484 * \Delta t$ ^{1,2840}

FRAME DECOR

1832	474	1.789,00	388	25,1	5,6	880	757	$\phi = 5,7949 * \Delta t$ ^{1,2840}
	586	1.830,00	500	31,3	7,0	1100	946	$\phi = 7,2436 * \Delta t$ ^{1,2840}
2032	474	1.917,00	388	27,3	5,8	978	841	$\phi = 6,4388 * \Delta t$ ^{1,2840}
	586	1.962,00	500	34,1	7,2	1222	1051	$\phi = 8,0484 * \Delta t$ ^{1,2840}

⁽¹⁾ For output at different Δt than 50°C, see page 130

FRAME PLUS POLISHED

Height H [mm]	Length L [mm]	Price €	Centres l [mm]	Weight [Kg]	Capacity [lt]	Thermal output $\Delta t = 50^\circ\text{C}$		75/65/20°C ($\Delta t=50^\circ\text{C}$)
						Watt	Kcal/h	⁽¹⁾ Thermal output ϕ in Watt and Δt in °C
1832	474	1.511,00	388	35,7	11,2	1215	1045	$\phi = 9,5799 * \Delta t$ ^{1,2840}
	586	1.618,00	500	45,1	13,7	1518	1305	$\phi = 11,9749 * \Delta t$ ^{1,2840}
2032	474	1.575,00	388	39,5	12,3	1325	1140	$\phi = 10,3224 * \Delta t$ ^{1,2840}
	586	1.699,00	500	49,9	15,0	1656	1424	$\phi = 12,9030 * \Delta t$ ^{1,2840}

FRAME PLUS DECOR

1832	474	2.269,00	388	35,7	11,2	1215	1045	$\phi = 9,5799 * \Delta t$ ^{1,2840}
	586	2.431,00	500	45,1	13,7	1518	1305	$\phi = 11,9749 * \Delta t$ ^{1,2840}
2032	474	2.322,00	388	39,5	12,3	1325	1140	$\phi = 10,3224 * \Delta t$ ^{1,2840}
	586	2.485,00	500	49,9	15,0	1656	1424	$\phi = 12,9030 * \Delta t$ ^{1,2840}

⁽¹⁾ For output at different Δt than 50°C, see page 130